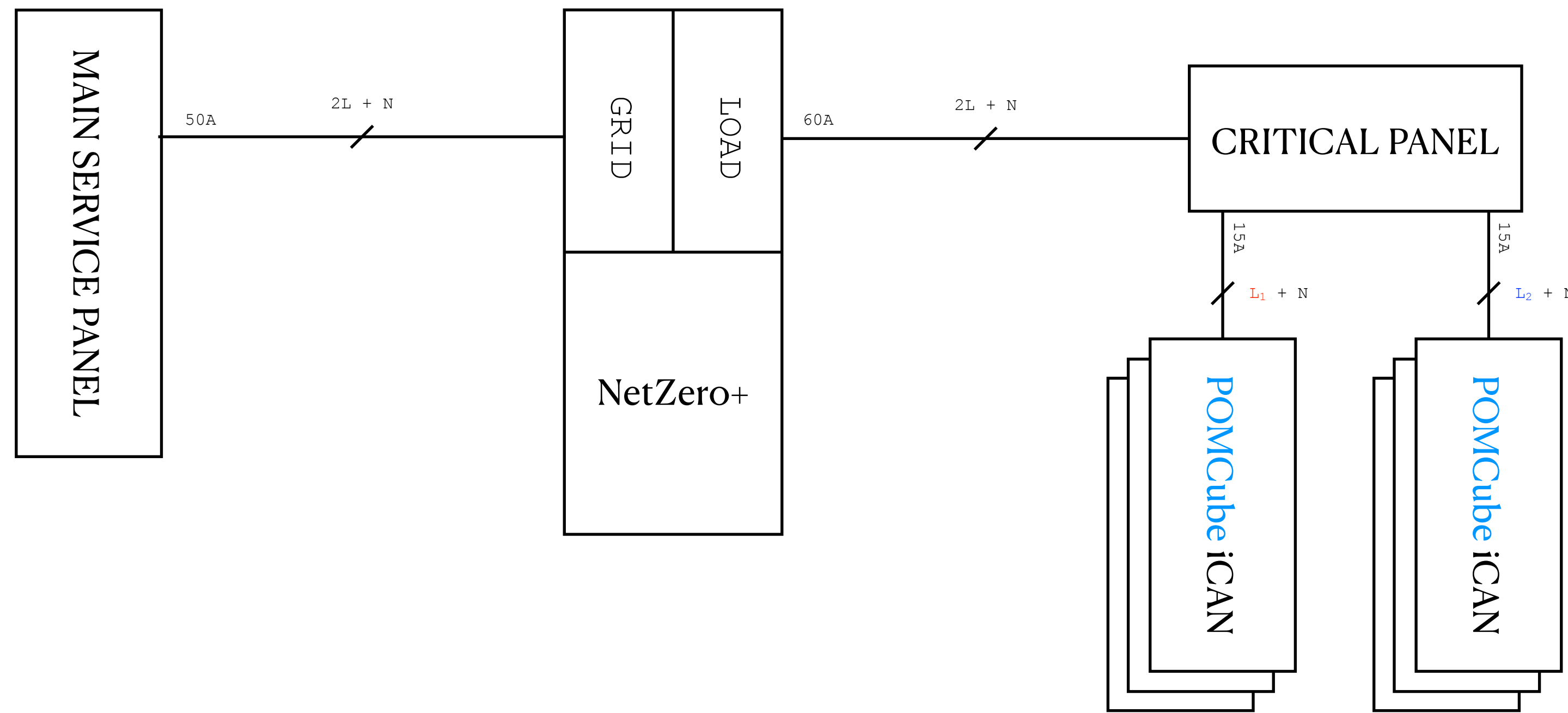


Tandem with iCAN

---

# Application Notes

---

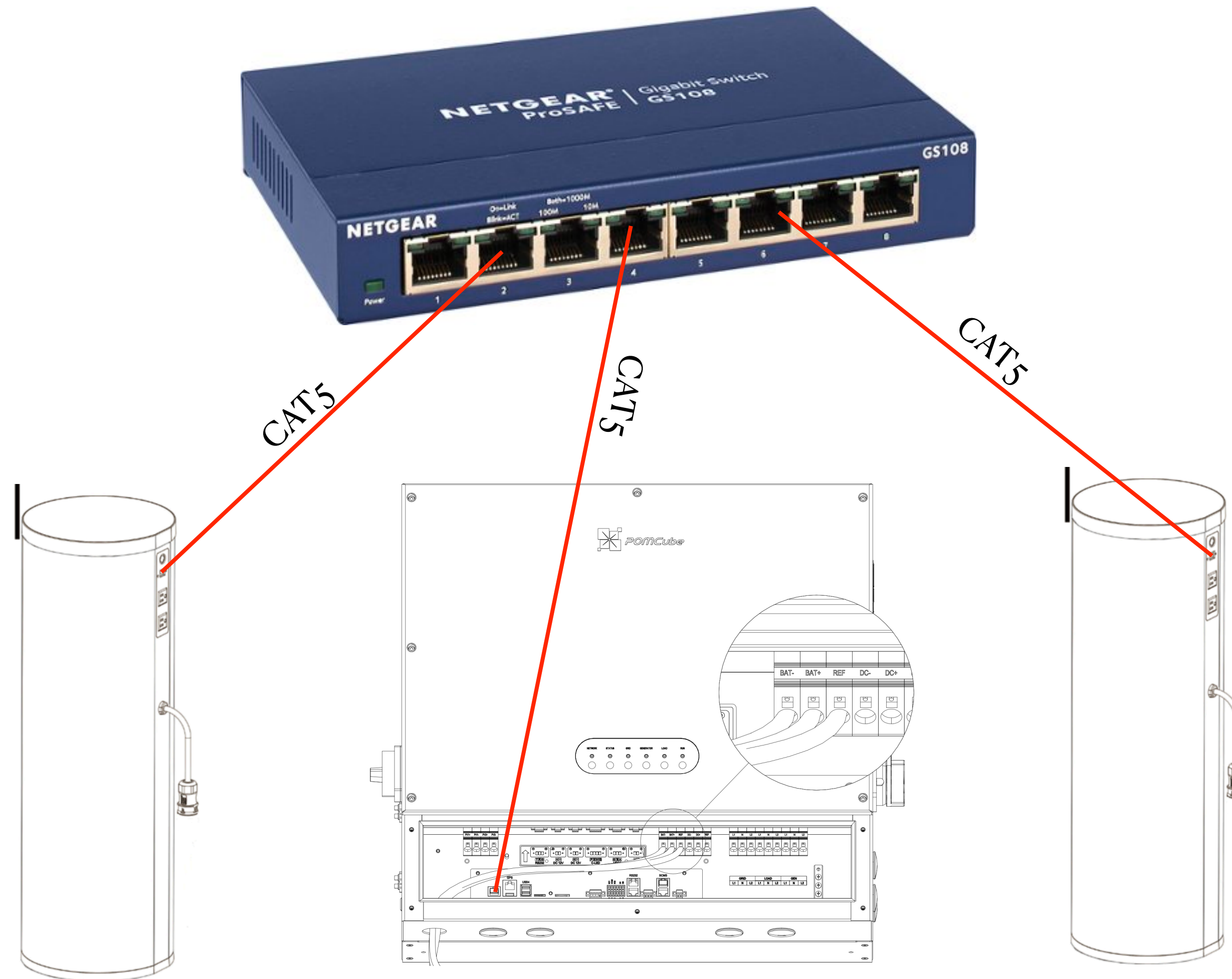


**NetZero+ can support POMCube iCAN natively**

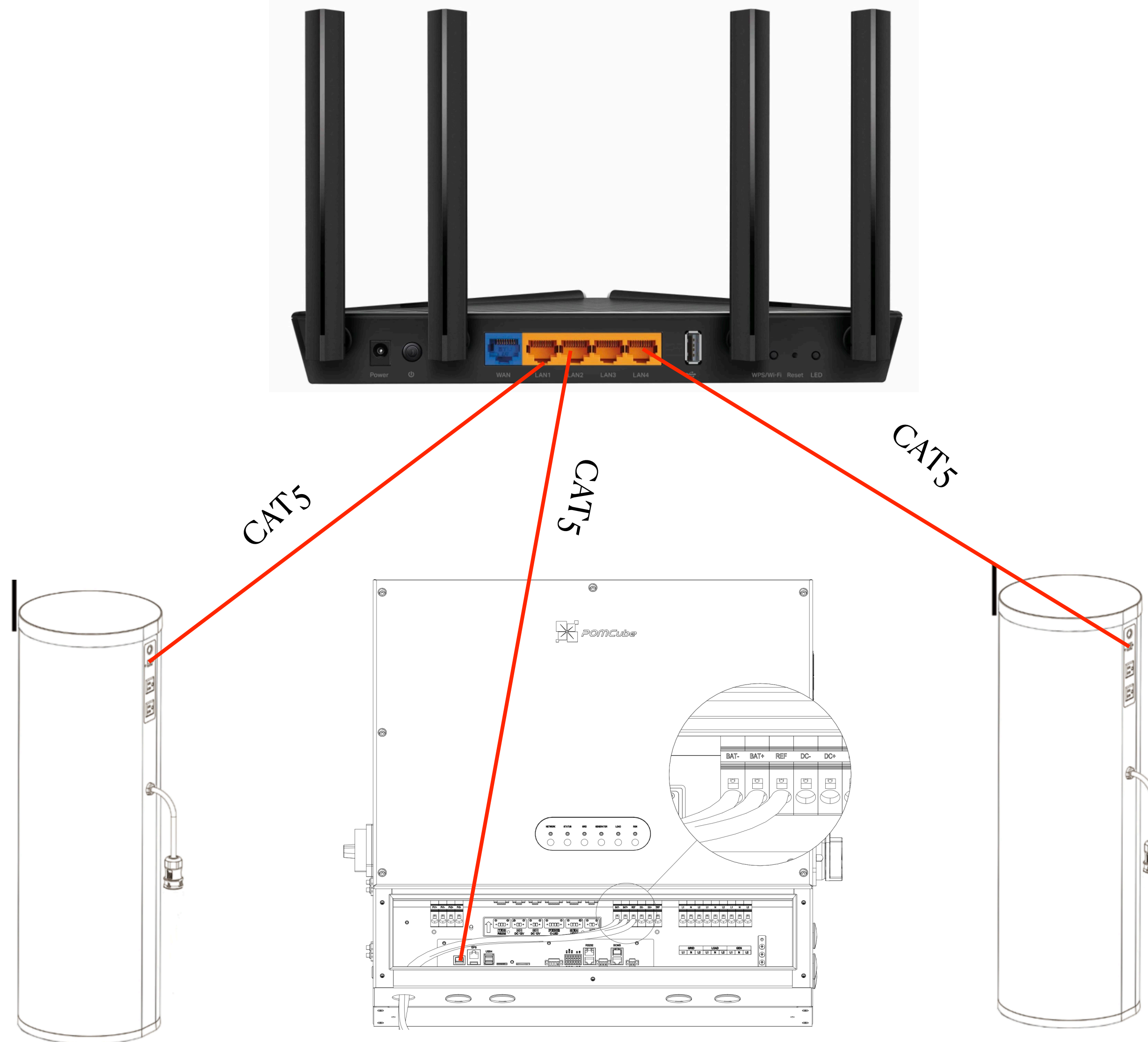
# Balance The load

## iCAN Should Be Added in Pair

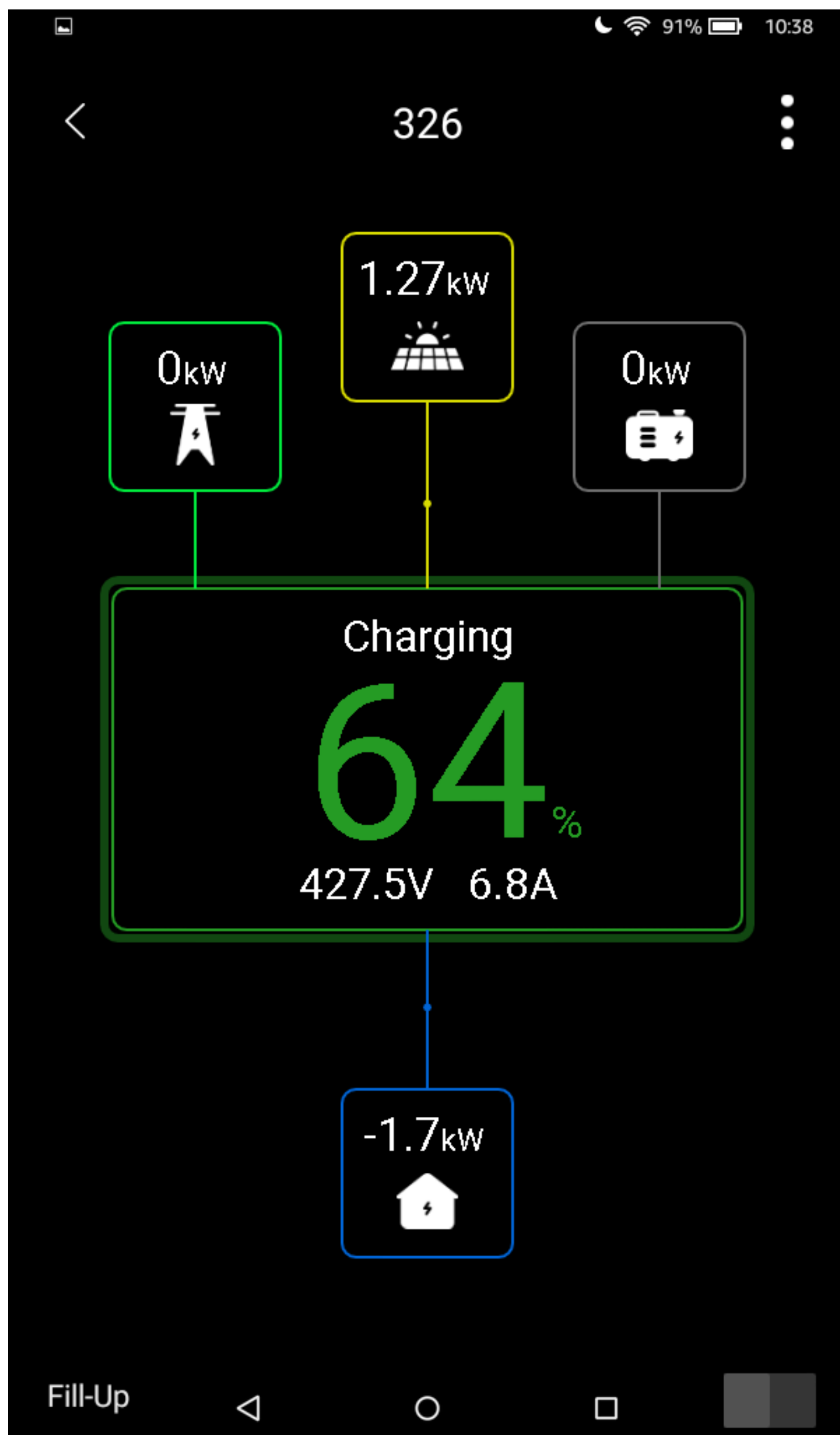
- iCAN should always be added in pair(s)
- Out of each pair, one should be connected to **L1** while the other is connected to **L2**.
- To keep iCAN functioning when grid service is disrupted, iCAN should be always connected to the **LOAD** (critical service panel).



**NetZero+ and iCAN should be connected through CAT5 (ETHERNET) to the same ETHERNET switch or router,**



**NetZero+ and iCAN should be connected through CAT5 (ETHERNET) to the same ETHERNET switch or router,**



1. NETZERO+ WILL INSTRUCT ICAN TO CHARGE WHEN THE TOTAL PV PRODUCTION EXCEEDS PRE-DEFINED THRESHOLD (1KW ~ 5KW, CONFIGURABLE).
2. ICAN WILL STOP CHARGING AUTOMATICALLY ONCE IT IS 100% CHARGED.
3. THE AMOUNT OF POWER DRAWED BY ICAN WILL APPEAR AS POSITIVE DEMAND ON THE LOAD (BLUE BOX ON APP SCREEN) .
5. NETZERO+ WILL INSTRUCT ICAN TO DISCHARGE WHEN SOC GOES BELOW A PRE-DEFINED THRESHOLD (SOC THRESHOLD IS CONFIGURABLE) AND/OR IT IS DISCHARGING ABOVE CERTAIN POWER RATING (500W OR HIGHER, CONFIGURABLE) ,
6. NETZERO+ WILL INSTRUCT ICAN TO STOP DISCHARGING WHEN SOC REACHES ABOVE CERTAIN SOC (CONFIGURABLE) OR DEMAND CEASES TO EXIST.
7. AS DEPICTED ON THE LEFT, WHEN ICAN IS INSTRUCTED TO DISCHARGE, THE LOAD (BLUE BOX ON APP SCREEN) MAY EXHIBIT A NEGATIVE NUMBER. IT MEANS THE POWER DISCHARGED BY ICAN IS GREATER THAN THE LOCAL DEMAND ON THE LOAD.

**Thank You**  
**For Making The World Greener**

Rev 1.0

Tandem with iCANS, first draft